

VT2 BASNW C

VANTAGE Tap Range Vantage 2 Basin Mixer without Waste Chrome



Features:

- Long life ceramic cartridge for added durability and ease of use
- Metal fixing nut for added durability
- Flexible tails included
- Minimum working pressure of 0.4 bar

Product Certifications:



WRAS Certificate No: 2003906
WRAS Expiry Date: 31/03/2025



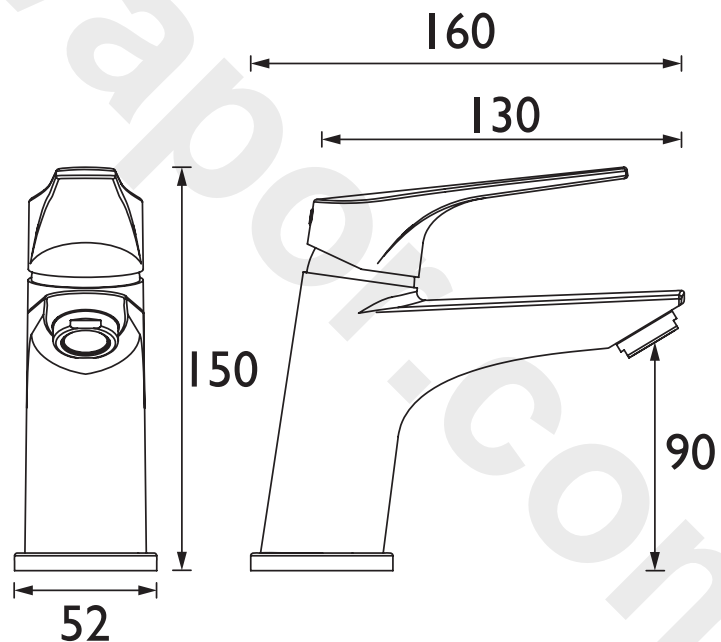
For more products, visit our website:
<http://www.bristan.com>



Specification

Product Type:	Bathroom Taps
Main Construction Material:	Brass
Mount Type:	Deck
Handle Type:	Lever
Connection Inlet:	M10 x 350mm 1/2" BSP Flexible Tails
Connection Outlet:	M24 Aerator
Number of Tap Holes:	1
Valve/Cartridge Type:	35mm Stepped Cartridge
Plumbing System Requirements:	Suitable for all plumbing systems
Minimum Dynamic Pressure (bar):	0.4 bar
Maximum Dynamic Pressure (bar):	5.0 bar
Maximum Hot Water Temperature °C:	65°C
Maximum Static Pressure (bar):	10 bar
Flow Type:	Single
Isolation Included:	No

Dimensions (measurements in mm)



Flow Rates (l/min)

System Pressure (bar)	0.4	0.5	1	2	3	5
VT2 BASNW C (mixed)	5.3	5.9	8.4	11.8	14.5	18.7

TECHNICAL DATA SHEET



BRISTAN

D6